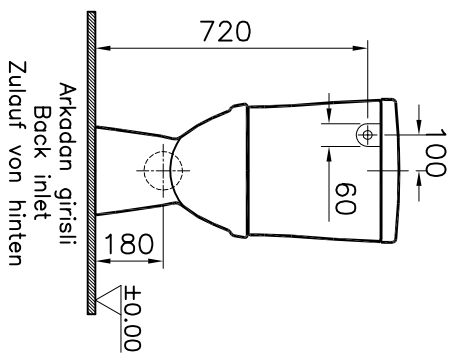
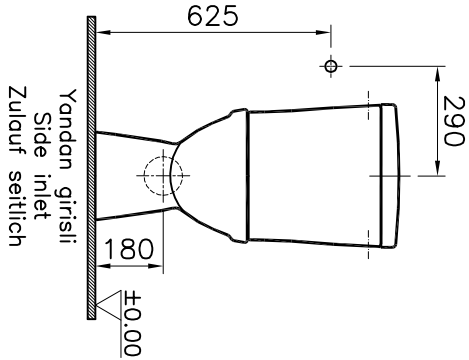
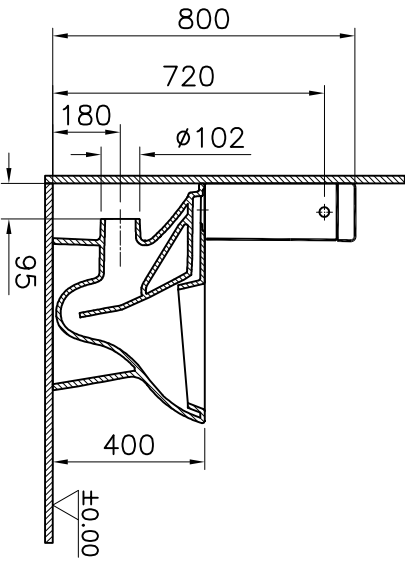
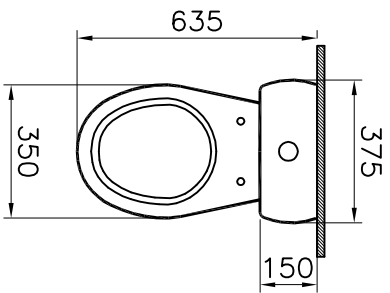


Theoretic Mass(kg)	Revision
Surface Area(dm ²)	A4

Thread	Hole	Shaft
--------	------	-------



Item	Quantity	Part Name	Series	Material	Drawing No	Material	Material Class
2	1	System (Bottom inlet)			5932-1253	Ceramic	
1	1	WC pan			7820-0075	Ceramic	
		This drawing can only be used for the intended process. Unauthorised copying is strictly prohibited.					
		WC pan					

RS	Description	Date	NAME

Drawn By	Controlled By	Approved By	Date	Drawing No	Scale
G.SULZER	N.BALTACI	V.SARIKOL	18.06.2018	7820+5932	1/20

